

Instructions for use

Model **ENT-ACC10** consists of a series of bars and clamps that can be assembled in several configurations. Once installed at the foot end of the bed, it can be adapted and adjusted to allow different types of traction to be applied. This accessory is suitable for use with ArjoHuntleigh Enterprise® 5000, 8000 & 9000 series beds.

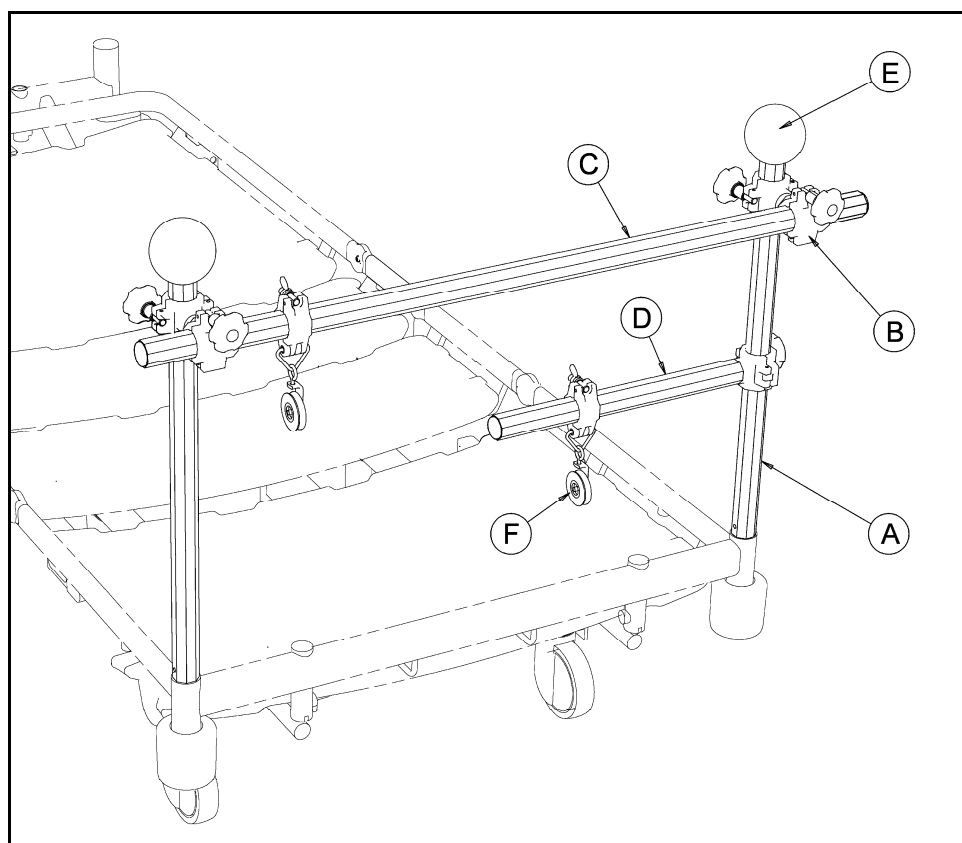
WARNING

Refer to the bed instructions for use to confirm compatibility before using this accessory

Traction should only be applied by clinically qualified persons

The small traction assembly comprises the following components, as shown in the diagram below:

Ref.	Description	ArjoHuntleigh part no.	Kinetec part no.	Qty.	Weight
A	Upright bar	818.516	4655003695	2	0.6kg
B	Double screw clamp	818.514	4655003059	2	0.5kg
C	Crossbar	818.517	4655003687	1	0.7kg
D	Straight bar with clamp	818.511	4655003067	1	0.9kg
E	Protective foam ball	818.513	4635001304	2	<0.1kg
F	Clamp with pulley	818.512	4655000617	2	0.1kg



WARNING

Traction cords and weights must be properly installed and securely attached

Ensure that all screw clamps and pulley clamps are fully tightened

A clinically qualified person should assess the risks involved before transporting a patient while traction equipment is in use

When moving or adjusting the bed, do not allow traction equipment to come into contact with surrounding objects or people as this may cause injury and/or equipment damage

Do not exceed the maximum safe working load of the equipment:



10kg for each pulley



80kg for the complete traction assembly



Change the protective foam balls for each patient

Installation & use (refer to the illustrations on the next page)

Lower the bed to minimum height and apply the brakes. Use the ACP to disable the tilt and leg section controls (refer to the bed user manual). Remove the foot end panel.

To install screw clamps or pulley clamps: fully undo the screw and open the clamp. Position the clamp around the frame. Close the clamp (1), rotate the knob (2) to lock the clamp together and tighten the screw (3).

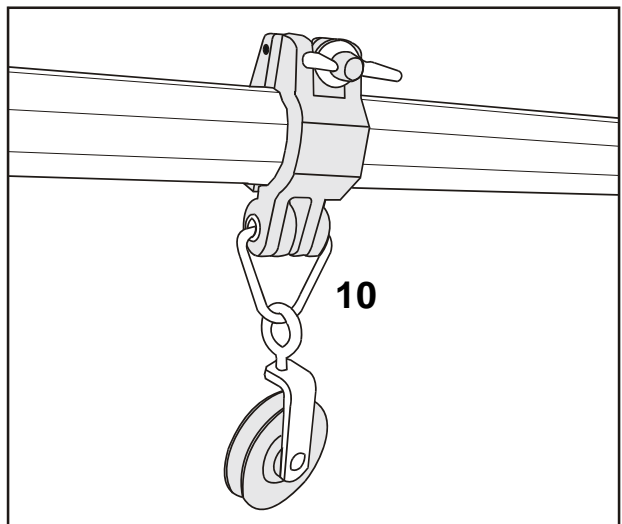
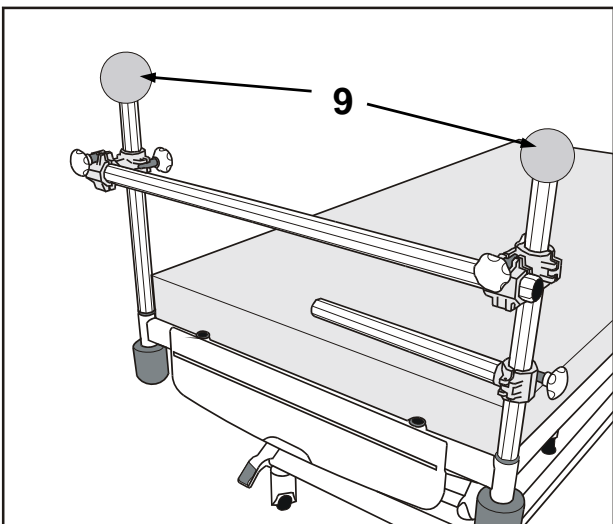
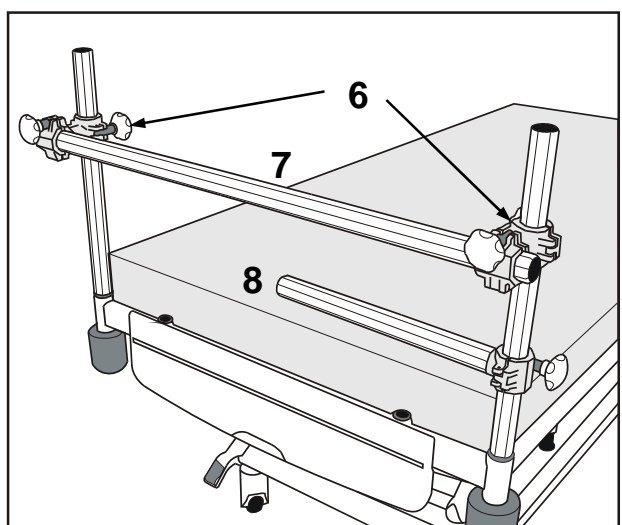
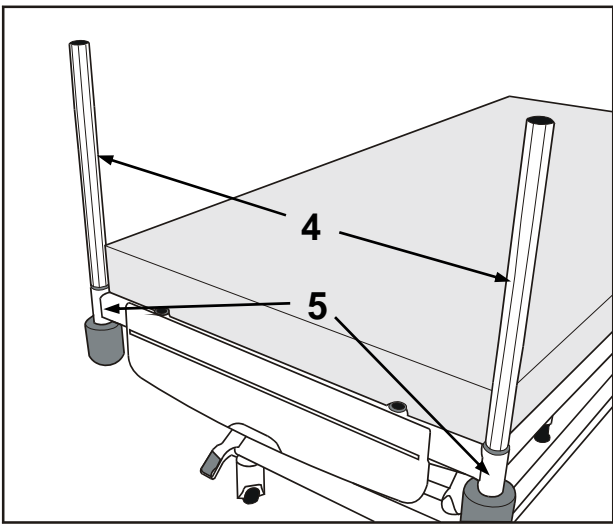
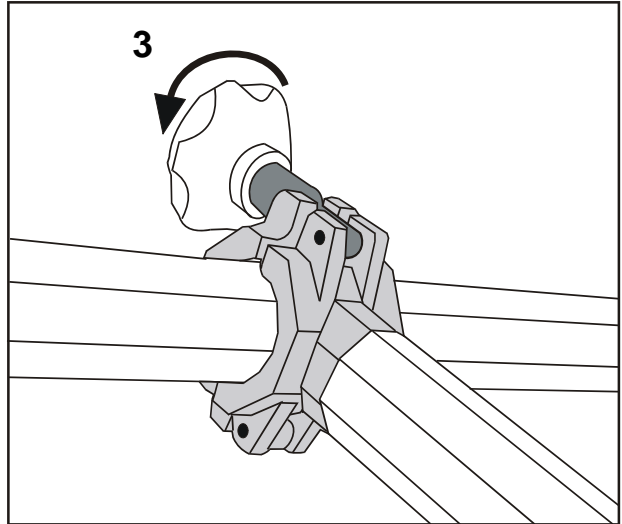
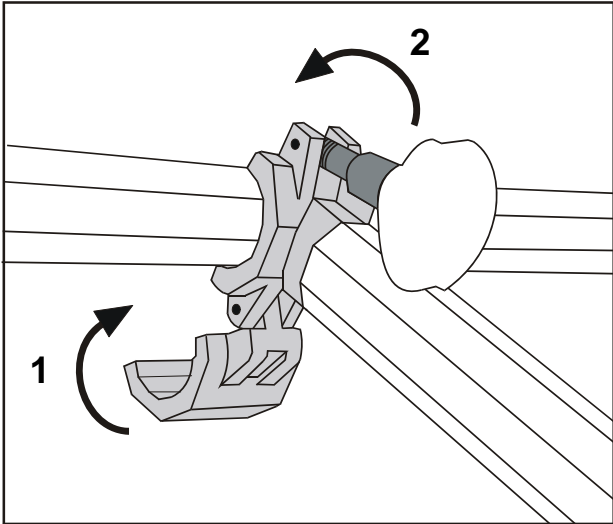
Fit the uprights (4) into the accessory sockets (5) at the foot end of the bed.

Attach a double screw clamp (6) to each upright, at the same height above the mattress platform. Fit the crossbar (7) into these clamps and secure them.

Attach the straight bar (8) using the integral clamp (*Note:* the straight bar can be fixed in any suitable position on either upright or the crossbar, according to the type of traction required. The illustration shows one typical position).

Fit the protective foam balls (9) over the ends of the uprights.

Fit the pulleys (10) to any horizontal part of the frame and attach traction equipment as required.



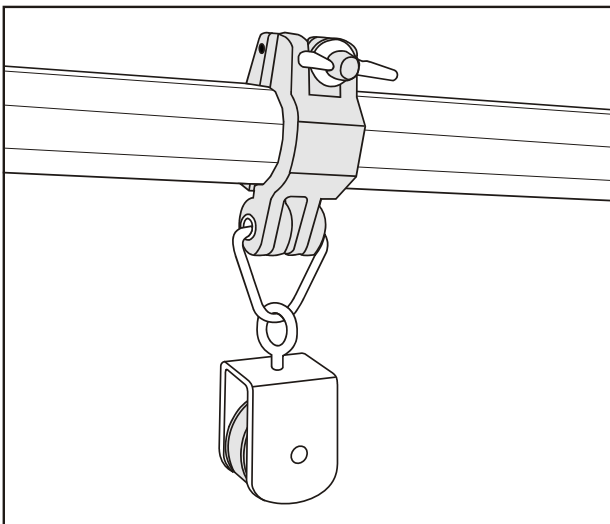
Cleaning

Use a hospital grade alcohol or aldehyde based disinfectant solution. Spray the solution onto the frame components, paying particular attention to moving parts, then wipe off with a disposable cloth.

Accessories

The following items are available as accessories for the ENT-ACC10 traction assembly. They can be used in addition to the standard kit when more complex forms of traction are required.

Description	ArjoHuntleigh part no.	Kinetec part no.
Straight bar with clamp	818.511	4655003067
Protective foam ball	818.513	4635001304
Clamp with pulley	818.512	4655000617
Clamp with enclosed pulley	S6858	4655000625



**Clamp with enclosed pulley
(Part no. S6858)**